



# MakerSpace 3D Printing Information

## 3D Printing

- 3D printing is now available to the public in The Underground Studio MakerSpace.
- Minimum of one hour • Maximum of 4 hours • \$0.10/gram of PLA filament • File must be STL
- All prints will be weighed in front of customers upon pick up to ensure proper pricing. **If your print requires any supports, those will be factored into the weight.**

## 3D Printing FAQ

Please Read the following before sending in STL files. Please be advised that these rules may change at any time at the discretion of The Underground Studio MakerSpace Co-ordinator. Please be advised that The Underground Studio MakerSpace is not responsible for the functionality or quality of 3D objects or any injuries or damages that may result from their print.

### How long will it take to get my print?

Only specific staff at THEMUSEUM are trained to work our 3D printers so it depends on availability and how many files we have at a given time. We strive to return your print to you within one week depending on availability of staff and 3D printers. An estimate will be given to you upon your request.

### I'm not sure if my print will work. Will you make or fix it for me?

The Underground Studio MakerSpace staff are available to assist or troubleshoot with STL files prior to printing during our Open Studio times (Saturday & Sunday: 10am – 11:15am and 2:30pm - 4pm. First and last Wednesdays 5:30pm - 7:15pm. Summer hours may differ).

We will not edit any files submitted directly to us and will assume that the print job will work as created.

### Can I watch my print being made?

3D files will be printed by The Underground Studio MakerSpace staff whenever the printers are available which may be at times when we are closed to the public or overnight.

### Can I get multiple colours in one print?

Prints can only be done in one colour. However, if you wish for your final product to contain multiple colours, select WHITE filament which provides a neutral base for painting afterwards.

### How big can I print?

As big as the 3D printer will allow 24cm x 19cm x 20 cm and that can be printed within the 4 hour maximum timeframe.

The Underground Studio MakerSpace reserves the right to change the size of your prints if it does not fit within the parameters.

We will contact you before doing so. Please be advised this may affect the production time if we cannot get a hold of you.

### Can I print multiple pieces?

Yes, however it must be submitted in one STL file. If you require multiple large components that cannot all fit on our 3D printer print bed (24cm x 19cm x 20 cm), you must submit a form for each file.

### Can I print whatever I want?

Yes, within reason. The Underground Studio MakerSpace 3D printing service may be used only for lawful purposes.

The Underground Studio MakerSpace reserves the right to refuse any files that have:

- Inappropriate or offensive imagery or words
- Anything representing a weapon
- Any copyright materials

IDEAS TRANSCENDING OBJECTS

10 King Street West, Kitchener, ON, N2G 1A3 | 519 749 9387 | UndergroundStudio1@THEMUSEUM.ca | THEMUSEUM.ca



# MakerSpace 3D Printing Submission Form

Please fill out the following information and e-mail to *The Underground Studio MakerSpace* at \_\_\_\_\_ along with your STL file for 3D printing.

Name: \_\_\_\_\_ E-mail: \_\_\_\_\_

Phone Number: \_\_\_\_\_ Alt. Phone Number: \_\_\_\_\_

Colour of print. Please indicate what colour you would like your print to be.

You may only select one.

Red     Blue     Dark Green     Purple     Yellow     White     Black

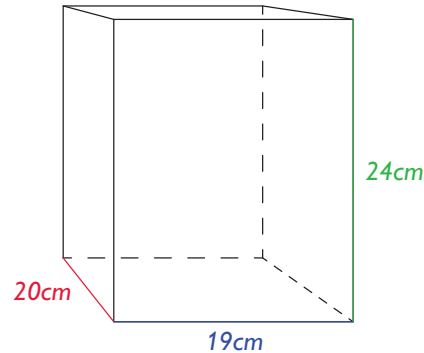
Please indicate what size you would like your print to be in cm.

Please note that our **MAXIMUM BUILD SIZE** is 24cm x 19cm x 20cm.

Length: \_\_\_\_\_ cm

Width: \_\_\_\_\_ cm

Height: \_\_\_\_\_ cm



Additional Notes:

*By signing below I agree that I have read the rules and FAQ about 3D printing at The Underground Studio MakerSpace and that my attached file is not copyright or of an offensive nature. I understand that turnover time may vary depending on availability of the 3D printers. I understand it is not the job of The Underground Studio MakerSpace staff to adjust my file if my print is not suitable for printing due to reasons such as shapes not lining up. I understand I will take on the task of adjusting the file before sending it back to The Underground Studio MakerSpace for printing if need be.*

Signature: \_\_\_\_\_ Date: \_\_\_\_\_

## IDEAS TRANSCENDING OBJECTS

10 King Street West, Kitchener, ON, N2G 1A3 | 519 749 9387 | UndergroundStudio1@THEMUSEUM.ca | THEMUSEUM.ca